

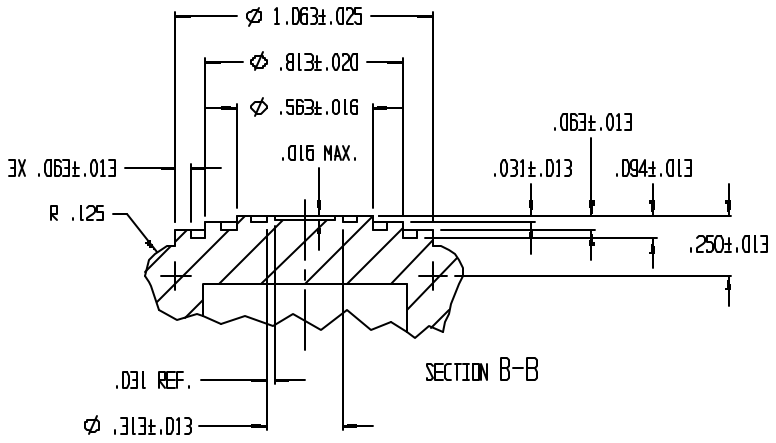
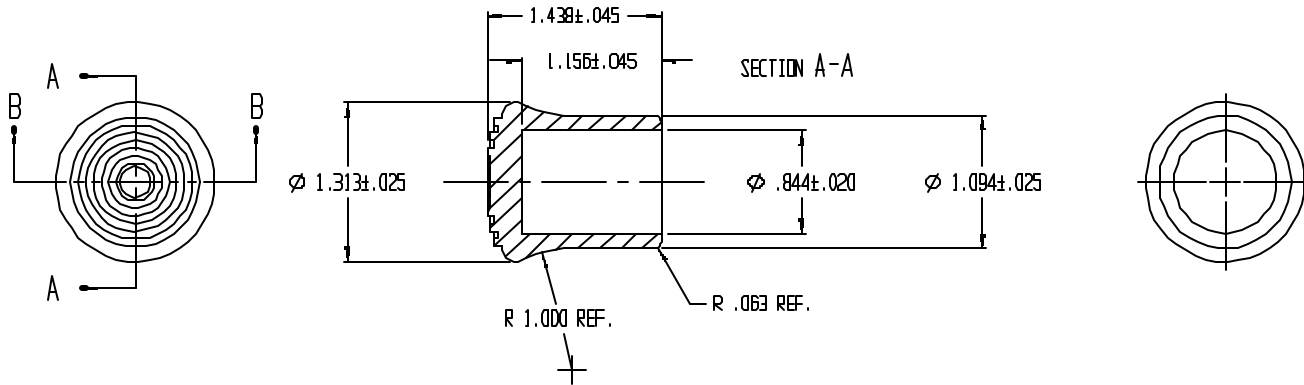
4

3

2

1

REVISIONS					
REV.	ZONE	BY	DESCRIPTION	DATE	APPROVED
2		MM	REURANN TO CADKEY	2/23/98	



UNLESS OTHERWISE SPECIFIED DIMENSIONS ARE IN INCHES		LAVELLE 665 MCHEMERY RD. BURLINGTON, WISCONSIN 53005 Ph. 414/763-2434 Fax 414/763-5807	
TOLERANCES ARE ANGULAR DECIMALS		TITLE CRUTCH TIP	
DRAWN M A DEAN	DATE 2/9/98	MATERIAL F86201	SHEET OF 1 1
CHECK	DATE	SCALE 1X	PART NO. 19G
DESIGN	DATE	FILE PATH g:\cadkey\parts\stock\tips\1Bg.prt	REV. 2

4

3

4

2

1