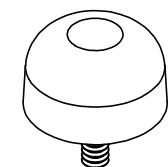
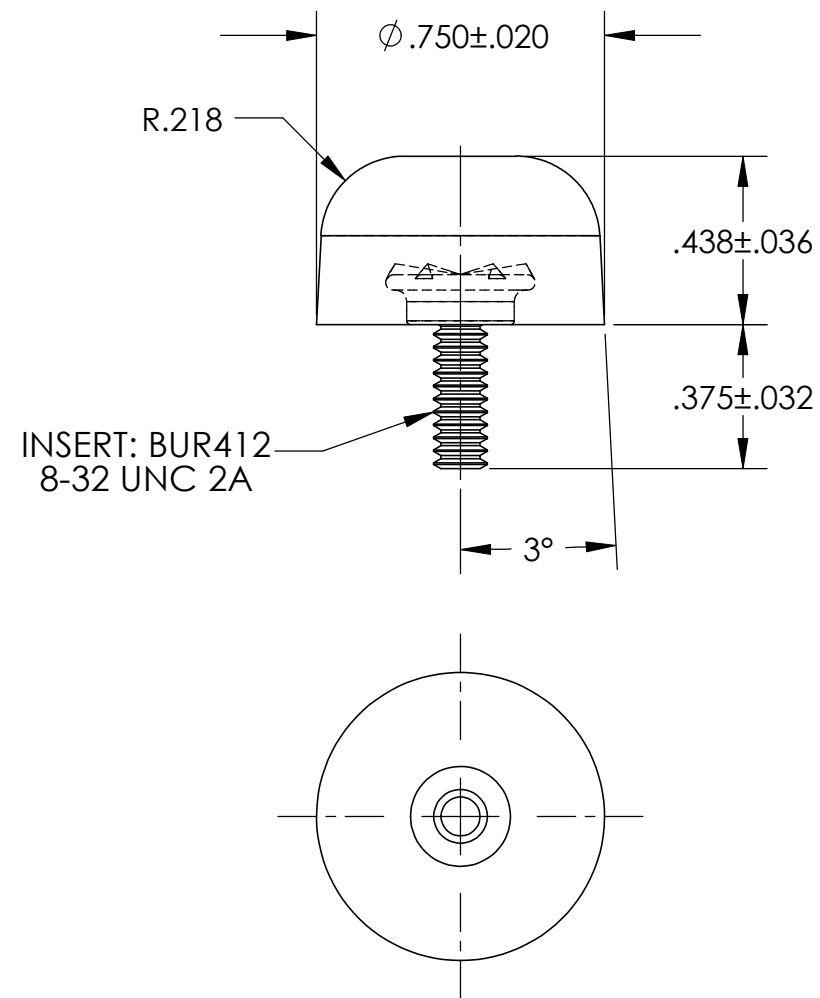


| REVISIONS |      |                       |           |          |
|-----------|------|-----------------------|-----------|----------|
| ECN       | REV. | DESCRIPTION           | DATE      | APPROVED |
| 3199      | 6    | REDRAWN TO SOLIDWORKS | 4/15/2008 |          |



SCALE 1:1

NOTES:

1. INSERT TO BE SECURELY BONDED TO RUBBER.
2. NO RUBBER ALLOWED ON THREADS.
3. RUBBER VOLUME: .15in<sup>3</sup>

|                                      |  |   |      |                                 |   |               |              |
|--------------------------------------|--|---|------|---------------------------------|---|---------------|--------------|
| UNLESS OTHERWISE SPECIFIED:          |  | NAME  | DATE | <b>Lavelle Industries, Inc.</b> |   |               |              |
| DIMENSIONS ARE IN INCHES             |  | DRAWN   | MAD  |                                 |   | 04/15/08      |              |
| TOLERANCES:                          |  | CHECKED   |      |                                 |   |               |              |
| FRACTIONAL $\pm 1/64"$               |  | ENG APPR.   |      |                                 |   |               |              |
| ANGULAR: $\pm 0.5^\circ$             |  | MFG APPR.   |      |                                 | TITLE:<br><b>3/4 MACHINE<br/>SCREW BUMPER</b> |               |              |
| TWO PLACE DECIMAL $\pm .01$          |  | <p><b>PROPRIETARY AND CONFIDENTIAL</b></p> <p>THE INFORMATION CONTAINED IN THIS DRAWING IS THE SOLE PROPERTY OF LAVELLE INDUSTRIES, INC. ANY REPRODUCTION IN PART OR AS A WHOLE WITHOUT THE WRITTEN PERMISSION OF LAVELLE INDUSTRIES, INC. IS PROHIBITED.</p> |      |                                 | SIZE  | DWG. NO.      | REV          |
| THREE PLACE DECIMAL $\pm .005$       |  |   |      |                                 | <b>B</b>                                      | <b>750MSB</b> | <b>6</b>     |
| INTERPRET GEOMETRIC TOLERANCING PER: |  |   |      |                                 | SCALE: 2:1                                    | WEIGHT:       | SHEET 1 OF 1 |
| MATERIAL                             |  |   |      |                                 |   |               |              |
| <b>F57014</b>                        |  |   |      |                                 |   |               |              |
| DO NOT SCALE DRAWING                 |  |   |      |                                 |   |               |              |

FILE PATH - N:\CAD\PARTS\STOCK\BUMPERS\750MSB\750MSB.1.slddrw