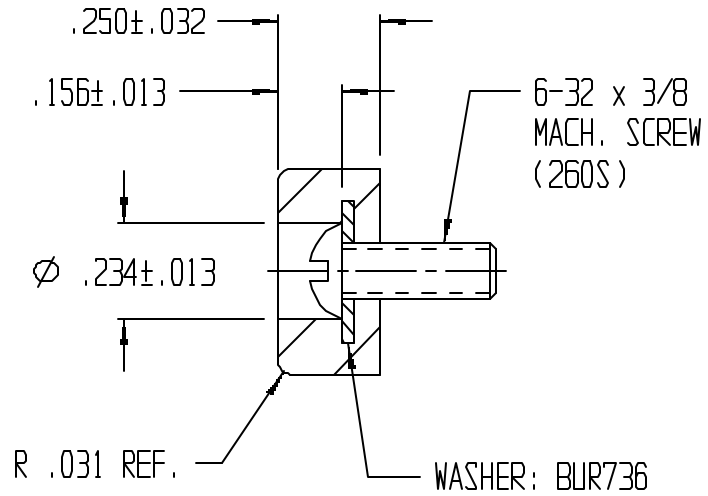
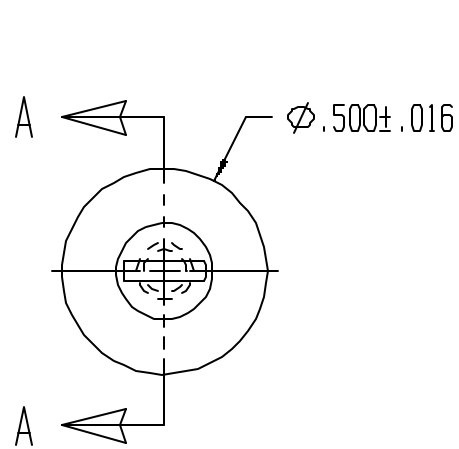



REVISIONS					
ECN	REV.	BY	DESCRIPTION	DATE	APPROVED



UNLESS OTHERWISE SPECIFIED DIMENSIONS ARE IN INCHES	
DECIMALS	TOLERANCES ARE MM ANGULAR
DRAWN M A DEAN	DATE 06/21/02
CHECK	DATE
DESIGN	DATE

 LAVELLE IND., INC. 665 McHENRY St. BURLINGTON, WISC. 53105 Ph. 414/763-2434 Fax 414/763-5607	
TITLE MACHINE SCREW BUMPER	
MATERIAL F57006	
SIZE A	SCALE 2X
PART NO. 500MSB	
FILE PATH V:\CAD FILES\Cadkey\parts\stock\Bumper\500MSB.prt	
SHEET 1	OF 1
REV. -	