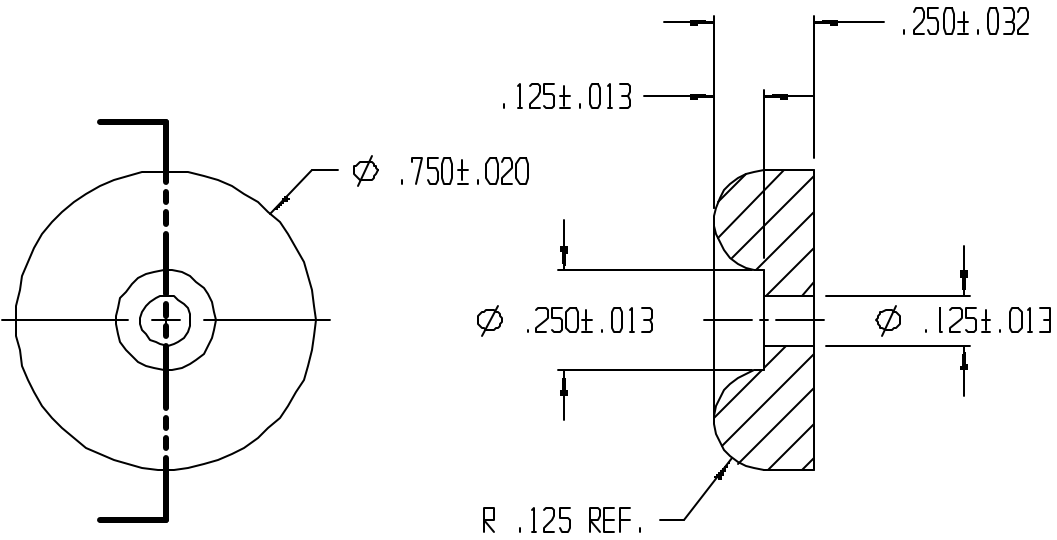


REVISIONS					
REV.	ZONE	BY	DESCRIPTION	DATE	APPROVED
3		MAD	REDRAWN TO CADKEY	1/21/98	



UNLESS OTHERWISE SPECIFIED  
DIMENSIONS ARE IN INCHES

TOLERANCES ARE  
DECIMALS MM ANGULAR



LAVELLE IND., INC.  
665 McHENRY St. BURLINGTON, WISC. 53105  
Ph. 414/763-2434 Fax 414/763-5607

TITLE RECESS BUMPER

MATERIAL F57006 SHEET 1 OF 1

DRAWN M A DEAN	DATE 10/7/92
CHECK	DATE
DESIGN	DATE

SIZE A SCALE 2X PART NO. 712R REV. 3

FILE PATH g:\cadkey\parts\stock\recessbpr\712R.prt