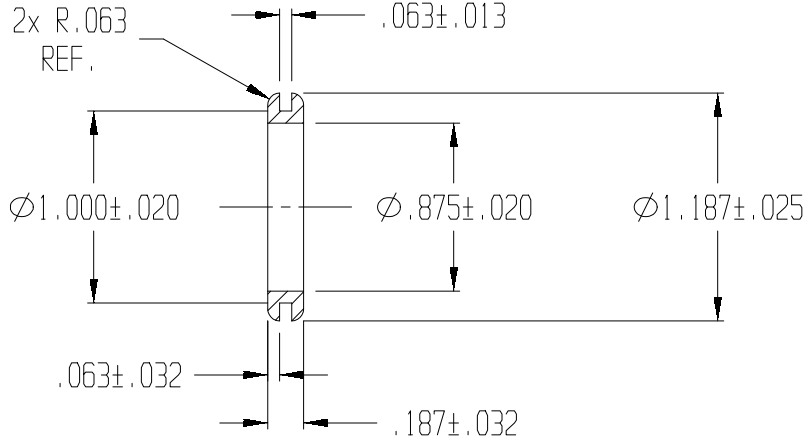
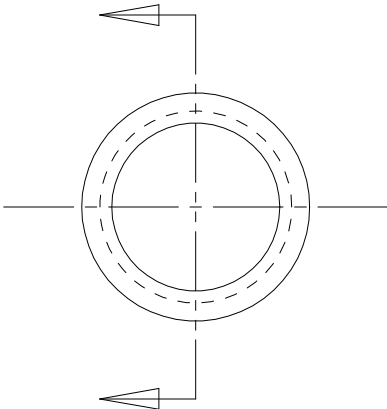


REVISIONS					
REV.	ZONE	BY	DESCRIPTION	DATE	APPROVED
2		MAD	REDRAWN TO CADKEY	09/17/01	



UNLESS OTHERWISE SPECIFIED  
DIMENSIONS ARE IN INCHES

TOLERANCES ARE  
DECIMALS      MM      ANGULAR

DRAWN M A DEAN	DATE 1/17/97
CHECK	DATE
DESIGN	DATE

**LAVELLE** LAVELLE IND., INC.  
665 McHENRY St. BURLINGTON, WISC. 53105

TITLE: GROMMET

MATERIAL: F55004

SIZE: A    SCALE: 2x    PART NO.: 931

FILE PATH: g:\cadkey\parts\stock\grommets\931.prt

SHEET 1	OF 1	REV. 2
------------	---------	-----------