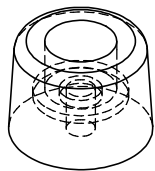
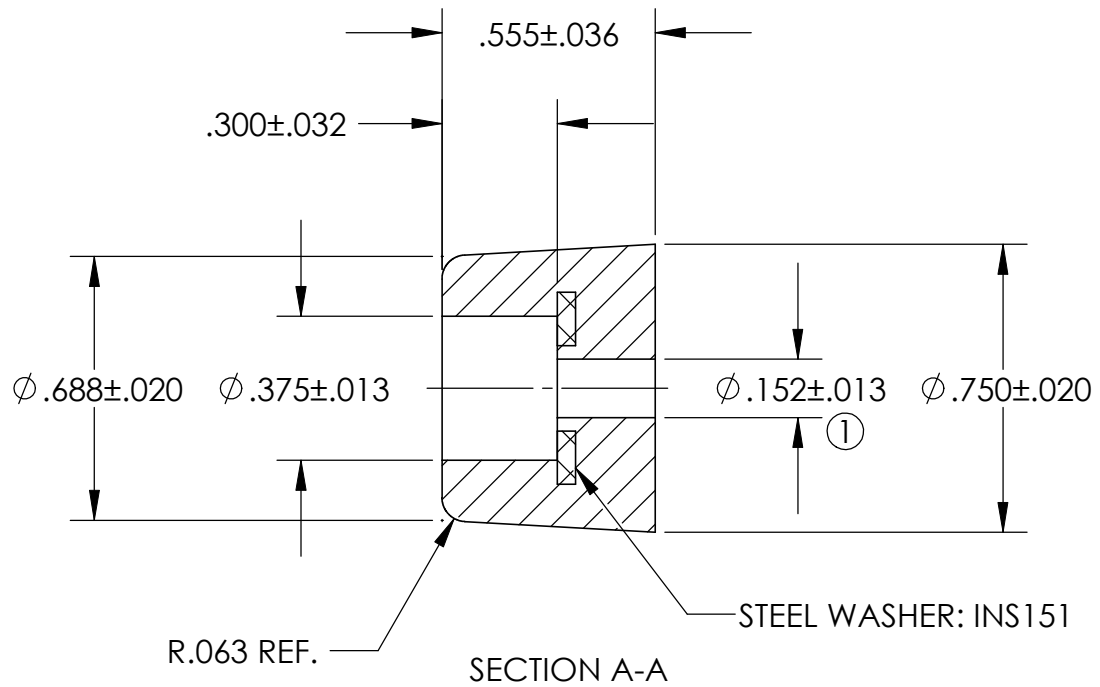
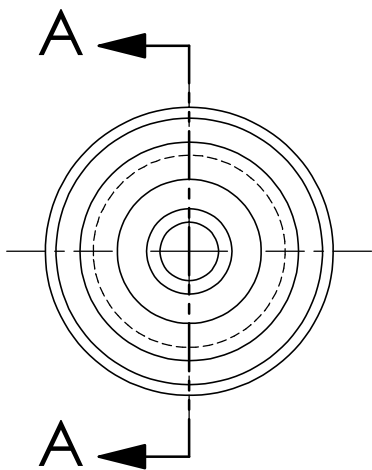


REVISIONS				
ECN	REV.	DESCRIPTION	DATE	APPROVED
3784	1	Ø.152 WAS Ø.188	5/4/2010	



SCALE 1:1  
VOLUME: .18in<sup>3</sup>

UNLESS OTHERWISE SPECIFIED:		NAME	DATE	<b>Lavelle Industries, Inc.</b>		
DIMENSIONS ARE IN INCHES		DRAWN	MAD			09/28/09
TOLERANCES:		CHECKED				
FRACTIONAL ±1/64"		ENG APPR.				
ANGULAR: ±0.5°		MFG APPR.			TITLE:	
TWO PLACE DECIMAL ±.01		<b>RECESS BUMPER</b>			SIZE	
THREE PLACE DECIMAL ±.005					DWG. NO.	
INTERPRET GEOMETRIC TOLERANCING PER:					M8073	
MATERIAL					REV	
F57204		<b>1</b>		SCALE: 2:1	WEIGHT:	SHEET 1 OF 1
DO NOT SCALE DRAWING		<b>PROPRIETARY AND CONFIDENTIAL</b> THE INFORMATION CONTAINED IN THIS DRAWING IS THE SOLE PROPERTY OF LAVELLE INDUSTRIES, INC. ANY REPRODUCTION IN PART OR AS A WHOLE WITHOUT THE WRITTEN PERMISSION OF LAVELLE INDUSTRIES, INC. IS PROHIBITED.				