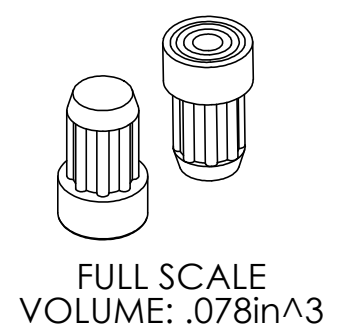
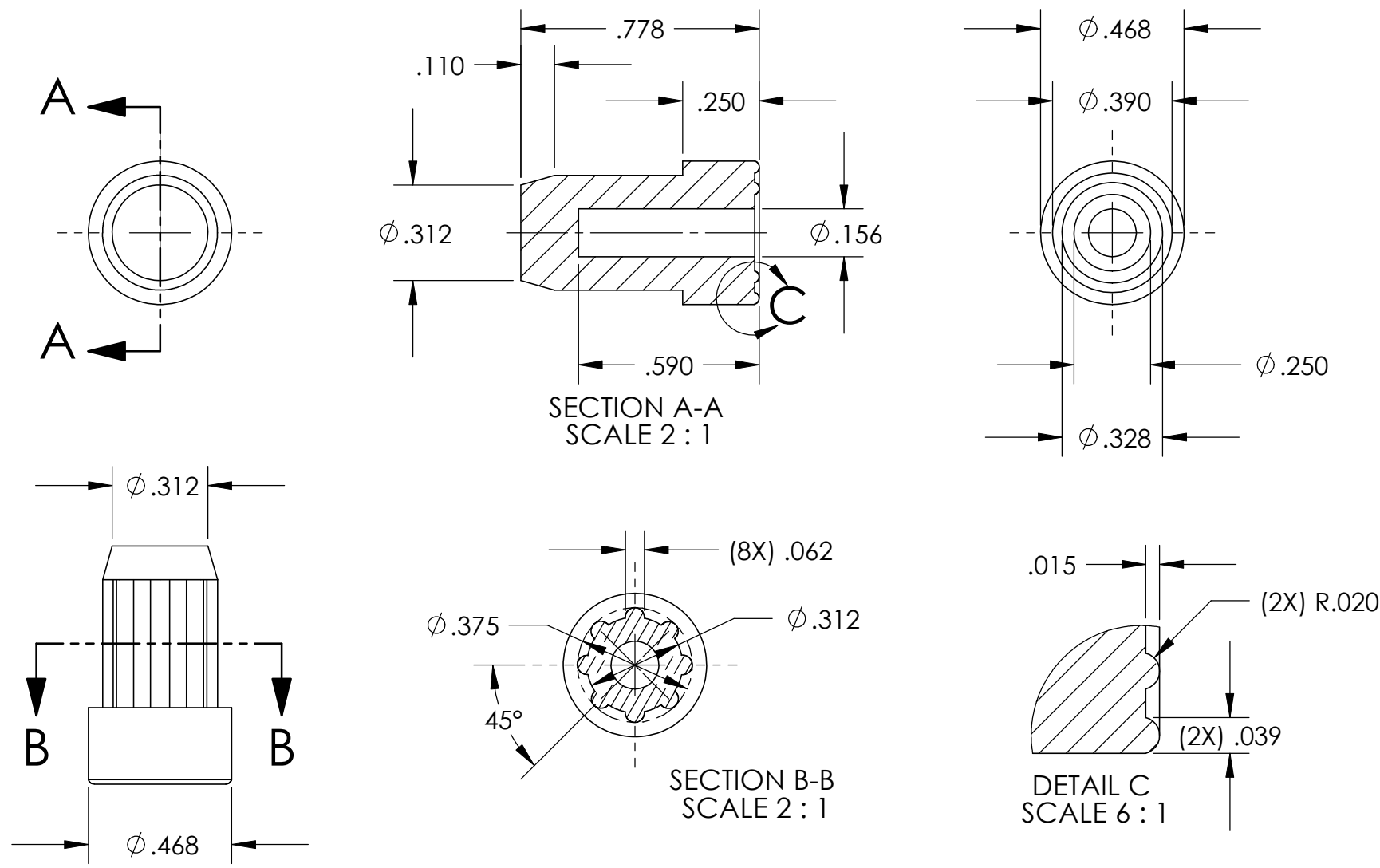


8 7 6 5 4 3 2 1

D
C
B
A



UNLESS OTHERWISE SPECIFIED: DIMENSIONS ARE IN INCHES TOLERANCES: FRACTIONAL ±1/64" ANGULAR: ±0.5° TWO PLACE DECIMAL ±.01 THREE PLACE DECIMAL ±.005	NAME	DATE	Lavelle Industries, Inc. TITLE: FOOT
	DRAWN	MAD 12/02/08	
	CHECKED		
	ENG APPR.		
INTERPRET GEOMETRIC TOLERANCING PER:	PROPRIETARY AND CONFIDENTIAL		SIZE DWG. NO. REV
MATERIAL	THE INFORMATION CONTAINED IN THIS DRAWING IS THE SOLE PROPERTY OF LAVELLE INDUSTRIES, INC. ANY REPRODUCTION IN PART OR AS A WHOLE WITHOUT THE WRITTEN PERMISSION OF LAVELLE INDUSTRIES, INC. IS PROHIBITED.		
DO NOT SCALE DRAWING			SCALE: 2:1 WEIGHT: SHEET 1 OF 1

FILE PATH - N:\CAD\PARTS\STOCK\Syntax\M8085\M8085.siddrw

8 7 6 5 4 3 2 1