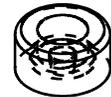
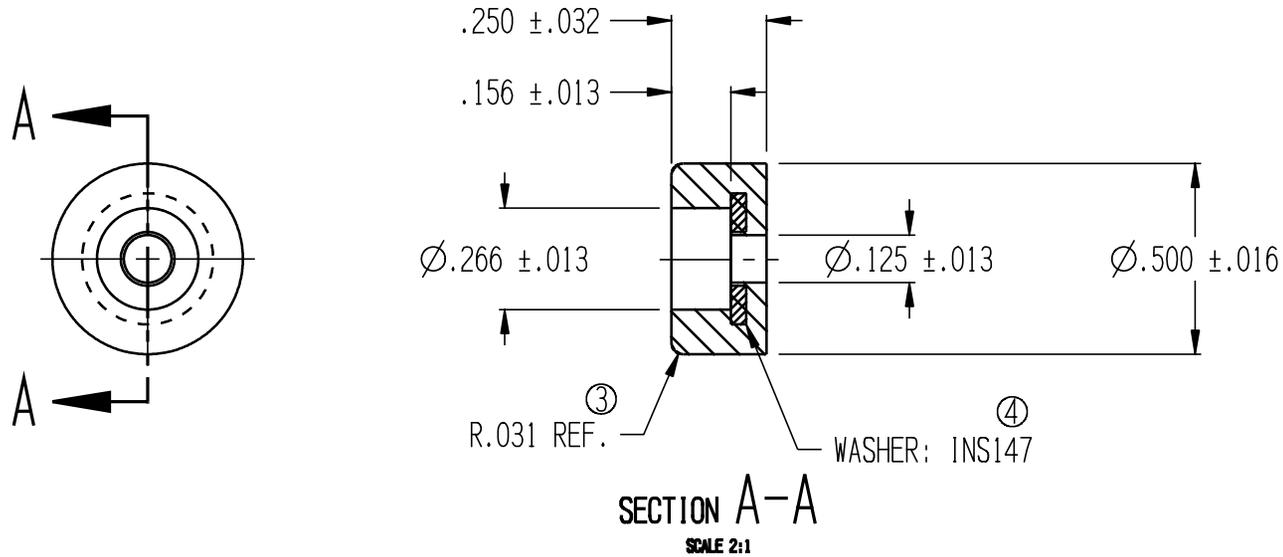


REVISION				
ECN	REV	DESCRIPTION	DATE	APPR
	2	REDRAWN TO CADKEY	08/14/97	
	3	REF. WAS ±.013	01/18/99	
5547	4	WASHER WAS BUR736	02/14/14	



SCALE 1:1
VOLUME: .039 CI

UNLESS OTHERWISE SPECIFIED DIMENSIONS ARE IN INCHES TOLERANCES: FRACTION ±1/64 ANGULAR: ±0.5° TWO PLACE DECIMAL: ±.01 THREE PLACE DECIMAL: ±.005 INTERPRET GEOMETRIC TOLERANCING PER: MATERIAL F57006 DO NOT SCALE DRAWING	NAME	DATE	Lavelle Industries, Inc. TITLE RECESS BUMPER SIZE DWG. NO. A 7051RW REV 4 SCALE: 2.000 WEIGHT: SHEET OF	
	DRAWN	MAD 03/22/96		
	CHECKED			
	ENG APPR			
	MFG APPR		PROPRIETARY AND CONFIDENTIAL THE INFORMATION CONTAINED IN THIS DRAWING IS THE SOLE PROPERTY OF LAVELLE INDUSTRIES, INC. ANY REPRODUCTION IN PART OR AS A WHOLE WITHOUT THE WRITTEN PERMISSION OF LAVELLE INDUSTRIES, INC. IS PROHIBITED.	