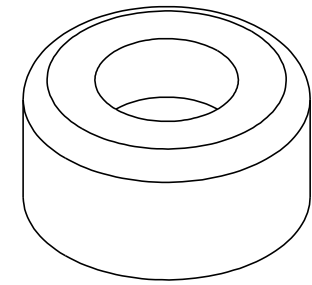
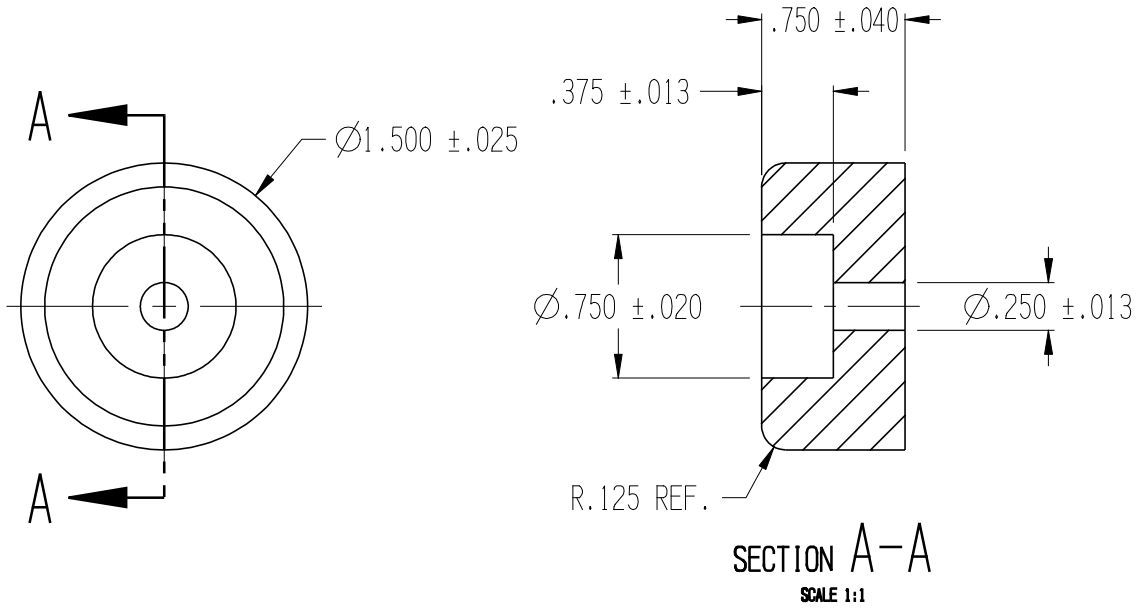


REVISION				
ECN	REV	DESCRIPTION	DATE	APPR
	3	REDRAWN TO CADKEY	01/20/98	



VOLUME: 1.13in³

UNLESS OTHERWISE SPECIFIED	NAME	DATE	Lavelle Industries, Inc.		
DIMENSIONS ARE IN INCHES TOLERANCES: FRACTION ±1/64 ANGULAR: ±0.5° TWO PLACE DECIMAL: ±.01 THREE PLACE DECIMAL: ±.005	DRAWN	MAD			10/22/93
	CHECKED				
	ENG APPR				
	MFG APPR				
INTERPRET GEOMETRIC TOLERANCING PER:	PROPRIETARY AND CONFIDENTIAL		TITLE RECESS BUMPER		
MATERIAL	THE INFORMATION CONTAINED IN THIS DRAWING IS THE SOLE PROPERTY OF LAVELLE INDUSTRIES, INC. ANY REPRODUCTION IN PART OR AS A WHOLE WITHOUT THE WRITTEN PERMISSION OF LAVELLE INDUSTRIES, INC. IS PROHIBITED.				
F57006	SIZE	DWG. NO.			REV
DO NOT SCALE DRAWING	A	791R	3		
	SCALE: 1.000	WEIGHT:	SHEET 1 OF 1		

5 4 3 2 1

FILE PATH: N:\CAD\PARTS\STOCK\RECESSPR\791R\791R.ckd