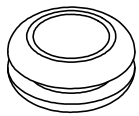
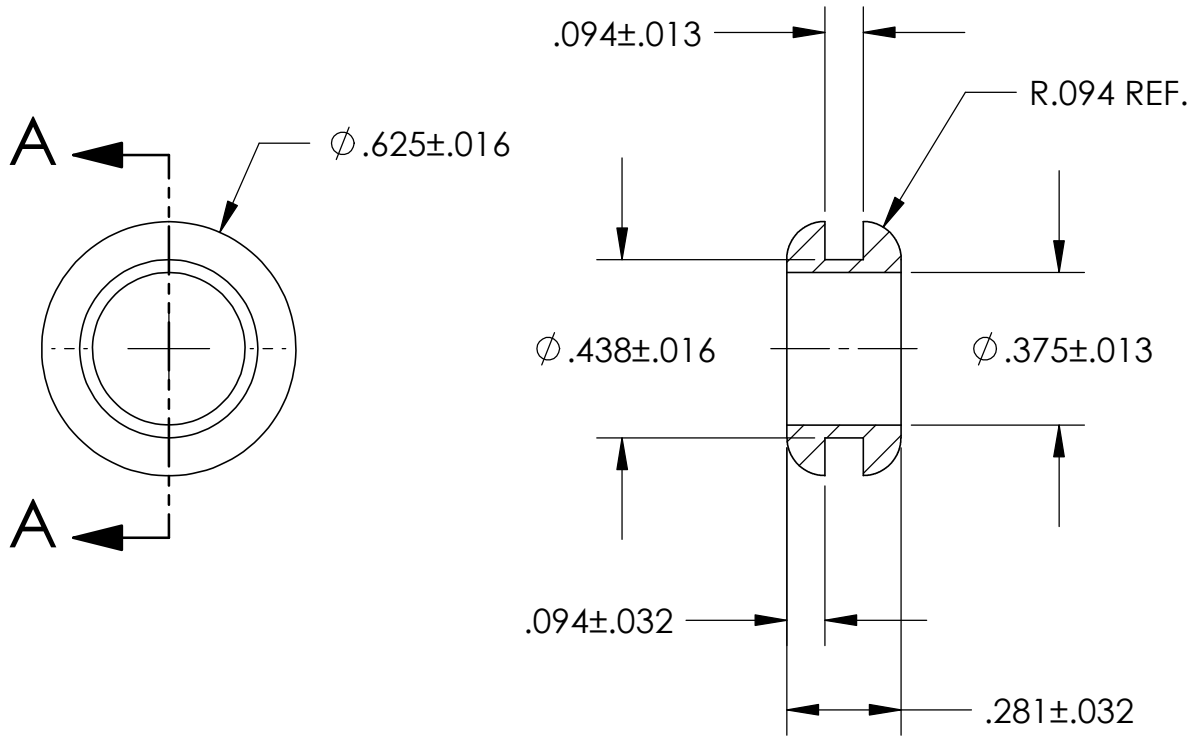


REVISIONS				
ECN	REV.	DESCRIPTION	DATE	BY
1598	5	REDRAWN IN SOLIDWORKS	9/23/2005	
11198	6	MATERIAL WAS F85016	11/1/2019	



FULL SCALE
VOLUME: .034 C.I.

UNLESS OTHERWISE SPECIFIED:		NAME	DATE	Lavelle Industries, Inc.		
DIMENSIONS ARE IN INCHES		DRAWN	MAD			09/23/05
TOLERANCES:		CHECKED				
FRACTIONAL $\pm 1/64"$		ENG APPR.				
ANGULAR: $\pm 0.5^\circ$		MFG APPR.			TITLE: GROMMET	
TWO PLACE DECIMAL $\pm .01$		PROPRIETARY AND CONFIDENTIAL THE INFORMATION CONTAINED IN THIS DRAWING IS THE SOLE PROPERTY OF LAVELLE INDUSTRIES, INC. ANY REPRODUCTION IN PART OR AS A WHOLE WITHOUT THE WRITTEN PERMISSION OF LAVELLE INDUSTRIES, INC. IS PROHIBITED.				
THREE PLACE DECIMAL $\pm .005$						
INTERPRET GEOMETRIC TOLERANCING PER:		SIZE A DWG. NO. 811 REV 6				
MATERIAL		SCALE: 2:1 WEIGHT: SHEET 1 OF 1				
⑥ F55004						
DO NOT SCALE DRAWING						

FILE PATH - N:\CAD\PARTS\STOCK\GROMMETS\811\811.sldprt

5

4

3

2

1