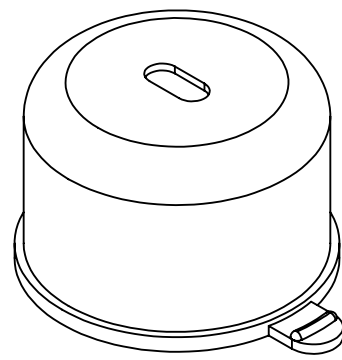
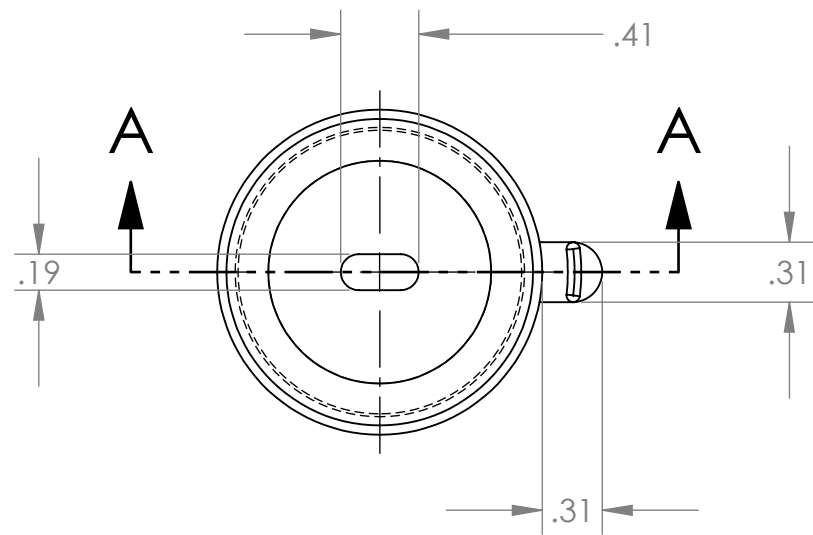
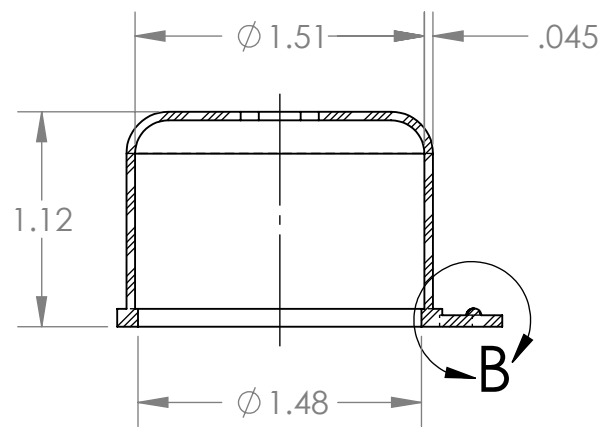


8 7 6 5 4 3 2 1

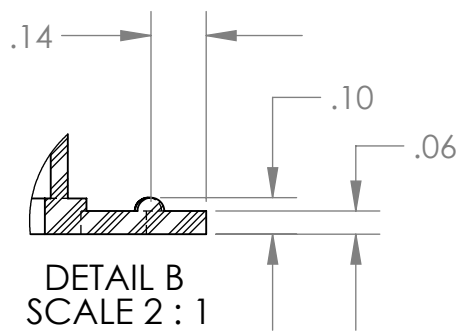
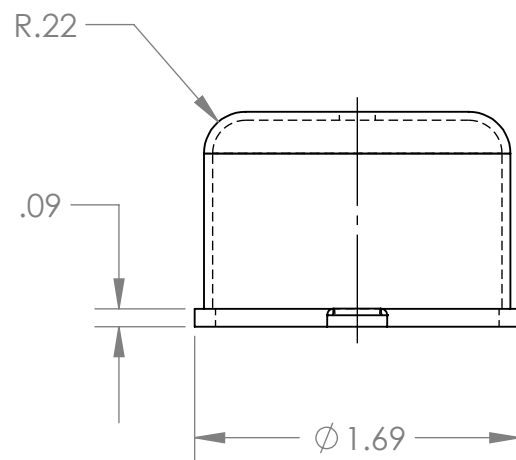
REVISIONS				
ECN	REV.	DESCRIPTION	DATE	APPROVED
13616	1	ADDED UL CERTIFICATIONS	6/2/2023	TTS



VOLUME: .34 C.I.



SECTION A-A



DETAIL B  
SCALE 2 : 1

**1** THIS PRODUCT HAS BEEN EVALUATED TO BI-NATIONAL STANDARD CAN/CSA - C22.2 NO 236-M90, UL 1995

THIS PRODUCT IS CERTIFIED TO UL 94 V-0.

UNLESS OTHERWISE SPECIFIED: DIMENSIONS ARE IN INCHES TOLERANCES: FRACTIONAL $\pm 1/64"$ ANGULAR: $\pm 0.5^\circ$ TWO PLACE DECIMAL $\pm .02$ THREE PLACE DECIMAL $\pm .005$	NAME	DATE	<b>Lavelle Industries, Inc.</b> TITLE: <b>BOOT (CAP)</b>		
	DRAWN	MAD			08/05/13
	CHECKED				
	ENG APPR.				
INTERPRET GEOMETRIC TOLERANCING PER:	MFG APPR.		REV		
MATERIAL	PROPRIETARY AND CONFIDENTIAL		SIZE	DWG. NO.	
F65020	THE INFORMATION CONTAINED IN THIS DRAWING IS THE SOLE PROPERTY OF LAVELLE INDUSTRIES, INC. ANY REPRODUCTION IN PART OR AS A WHOLE WITHOUT THE WRITTEN PERMISSION OF LAVELLE INDUSTRIES, INC. IS PROHIBITED.		<b>B</b>	M8121	
DO NOT SCALE DRAWING			SCALE: 1:1	WEIGHT:	
				SHEET 1 OF 1	

8 7 6 5 4 3 2 1